



Art. nr. 190003



MADE IN PRC

B&C Sales bv • De Ruijterstraat 12 • 6651 ZH • Druten • The Netherlands

### Item details

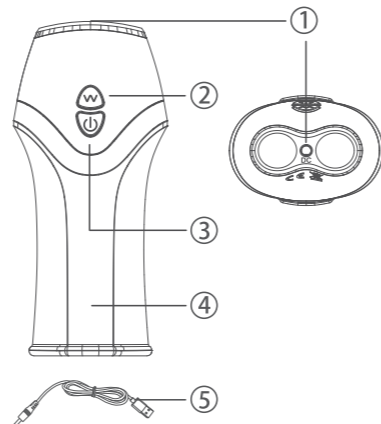
Brand: XUANAI  
Product name: Heaven joy Vibrator  
Enterprise standard: Q/XADZ 1-2020  
Material: Silicone, ABS, TPE  
Noise level: less than 75 decibels  
Drive mode: built-in lithium battery (3.7v)  
Charging mode: 5V USB charging  
Product size: 92 x 50 x 152mm  
The specific size is subject to the actual size  
Manufacturer:  
DongGuan XuanAi Electronic Technology Co.,Ltd  
Address: No.9, Lane 4, Shangnan Road, Nanzha Fifth Industrial Zone, Humen Town, Dongguan, Guangdong, China  
Website: <http://www.hkxuanai.com>  
Service hotline: 0769-89366626  
Date of production: See certificate of quality  
Warranty: 24 months  
Warning: People under 18 are not allowed to use it  
The product passes the inspection and is allowed to leave the factory  
Inspector: See special seal for inspection



Dear users:

Thank you for ordering our products, we will wholeheartedly serve you, before using this product, please read this manual carefully and store it in the place where minors can't find.

### Part name

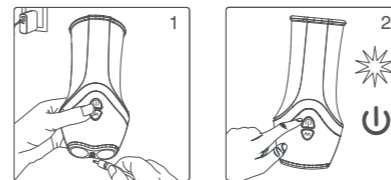


1. USB charging hole
2. Frequency conversion key
3. Power key
4. Product main body
5. USB charging cable

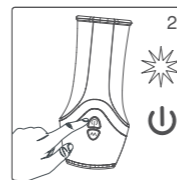
### Internal Packaging Detail

Item	Name	Unit	QTY
1	Product main body	pcs	1
2	USB charging cable	pcs	1
3	Instruction	pcs	1
4	Certificate	pcs	1

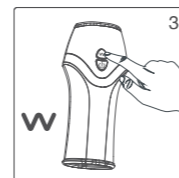
### Products usage



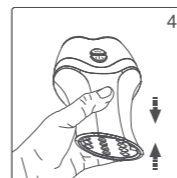
Plug the charging end of the charging cable enter the DC charging port. When charging, the indicator light flashes. When charging over, the indicator light stays on. Figure 1



After charging, long press the key "U" for 1.5 seconds to turn on/off the device. After starting up, the device will start at the same time, the gear is 1, and the indicator light stays on. Figure 2

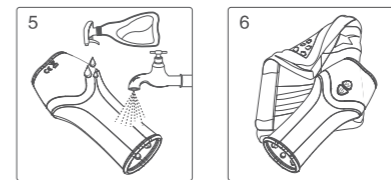


After starting up, Tap the key "W" to freely select 4 frequency vibration. Figure 3



When used, it can be circularly extruded to a flat shape to increase the package experience. Figure 4

### Clean after use



1. Drop cleaning liquid into the surface of the product.
2. Washing directly under faucet. Figure 5
3. Dry the appliance or wipe it dry with a clean towel. Figure 6
4. After ensuring hygiene is clean, put the product back in the box.

### Maintenance

1. Please keep the box and instructions so that you can contact the manufacturer if necessary.
2. Fully charged before storage, away from high temperatures, humidity, dirt and exposure.
3. Storage temperature: -10C-40C Relative humidity: 20%-95%.
4. Charge every three months to prevent excessive battery discharge when long-term placement is not in use.

### Precautions

Warning: This product is only suitable for adults, people under 18 years of age are strictly prohibited to use.

1. Charging can only be used in the company's production of USB charging cable charging, charging cable can not be used for other charging purposes.
2. Do not dismantle or modify the machine by yourself to avoid damage to the parts or unexpected consequences
3. It is strictly forbidden to immerse in water for long periods of time and store in high temperature environment.
4. Scrap treatment: according to the treatment of old electrical and electronic products. Scrap should be regarded as a waste electronic equipment receiving the corresponding waste electronic recycling bin, not as ordinary waste disposal.

